

OCXOs

1999 Oscillator DataBook

TCXOs

VCXOs

Crystal Filters

Clock Oscillators

Component Ovens

Oak

frequency
control
group

APPLICATIONS

Cellular Base Stations
Test Equipment

FEATURES

Double Oven OCXO
Excellent Temperature Stability
SC-Cut Crystal

Model ¹	Output	Supply Voltage	Temperature Range with Stability ²			Reference Voltage	Frequency
			(°C)	Good	Best		
4895	7 (dBm Sine)	12 (12 Volts)	C (0 to +70)	410 (4 x 10 ⁻¹⁰)	210 (2 x 10 ⁻¹⁰)	R (5 Volts)	4 - 15 MHz
	H (HCMOS)		N (0 to +75)	410 (4 x 10 ⁻¹⁰)	210 (2 x 10 ⁻¹⁰)		
			P (-20 to +70)	810 (8 x 10 ⁻¹⁰)	410 (4 x 10 ⁻¹⁰)		

ADDITIONAL PARAMETERS

Yearly Aging: ± 0.03 ppm max.
 Daily Aging: ± 1 x 10⁻¹⁰ typical
 Supply Voltage: +12 V ± 5%
 Power Consumption: 3.0 W Typ. @ 25°C steady state
 Warm-up Power: 15 W
 Warm-up Time: To within ± 0.01ppm of 24-hour frequency in 5 min. @ 25°C

Electrical Freq. Control
 Tuning Range: ± 0.5 ppm typical
 Input: 0 to 5V
 Slope: Positive

SINEWAVE OPTIONS

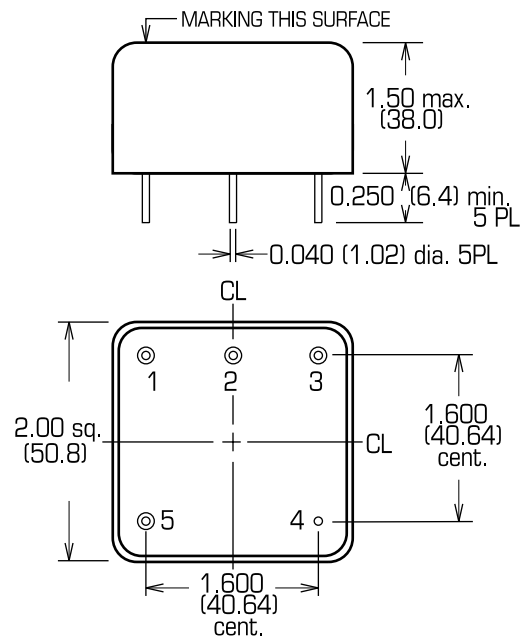
Harmonics -30 dBc
 Load 50 ohms
 Output Level +7 dBm ± 2 dB

SSB PHASE NOISE¹

1 Hz Offset - 100 dBc/Hz
 10 - 130
 100 - 145
 1K - 150
 10K - 150
 100K - 150

¹ Typical Values at 5.0 MHz.

² Temperature stabilities are peak-to-peak values.



PIN CONNECTIONS

- 1 – EFC
- 2 – Reference Voltage Output (+5 V)
- 3 – RF Output
- 4 – Case GND
- 5 – Supply Voltage

Dimensions: Inches (mm)

O
C
X
O